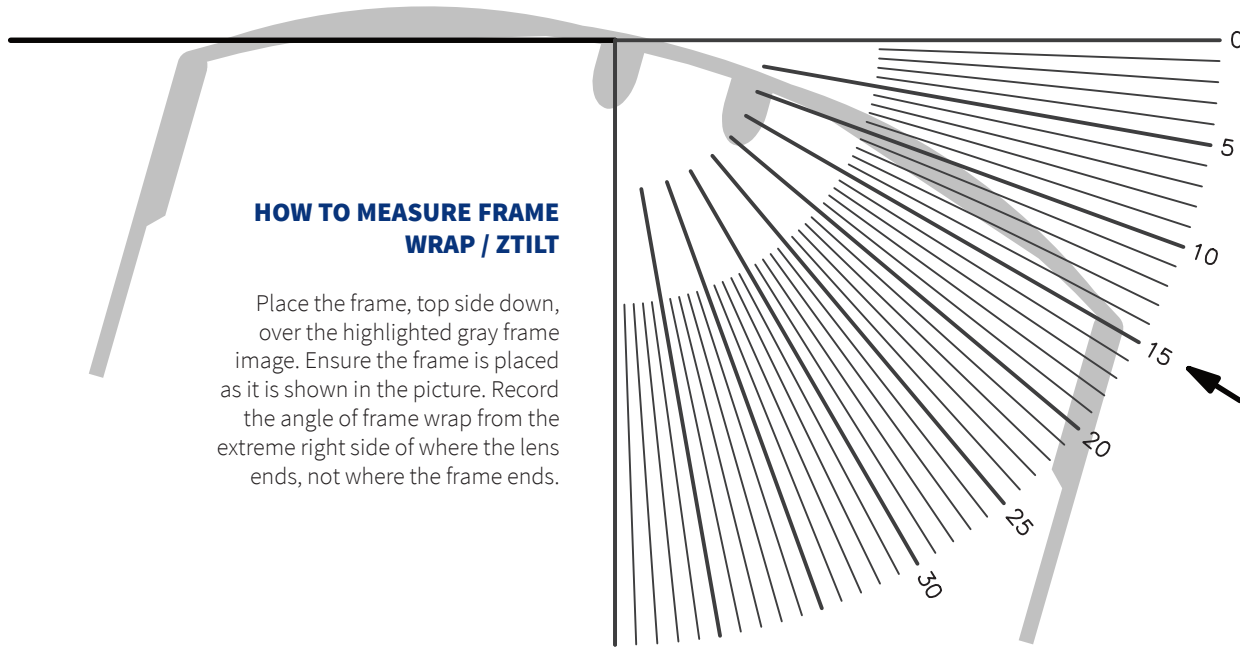


Centration Chart

Endless Bifocal Wide



HOW TO MEASURE FRAME WRAP / ZTILT

Place the frame, top side down, over the highlighted gray frame image. Ensure the frame is placed as it is shown in the picture. Record the angle of frame wrap from the extreme right side of where the lens ends, not where the frame ends.

PLEASE NOTE:

This chart will not work as a measurement tool unless printed at exactly 1 to 1 scale. Be sure that your print options are set to page scaling: none. DO NOT select "fit to printable area".

1 cm

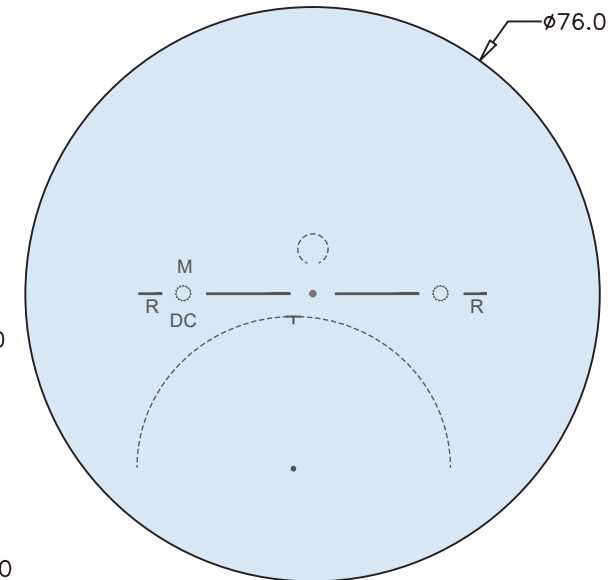
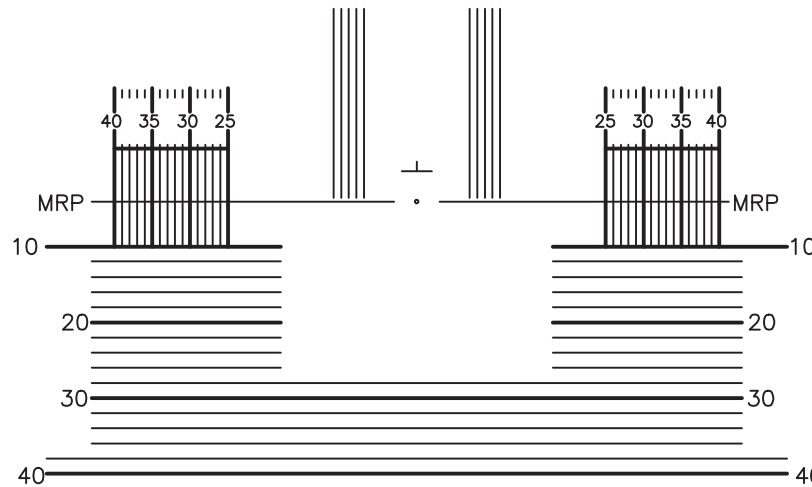
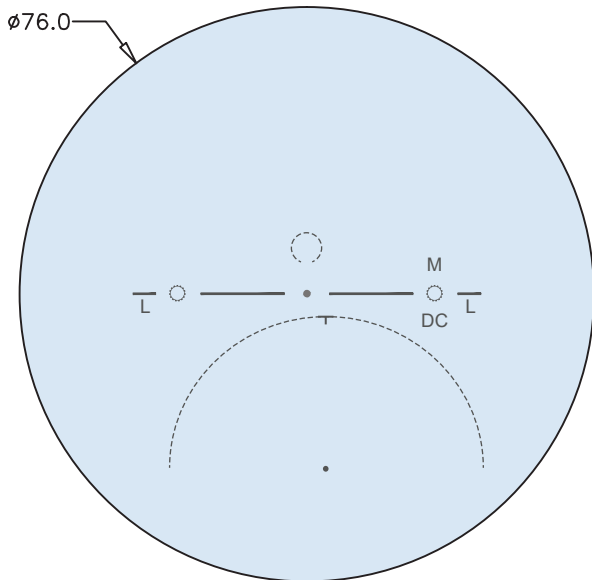
DEFAULT PERSONALIZATION PARAMETERS

Wrap	Panto	Vertex
5°	8°	14 mm

ENGRAVING INDEX

M = Material DC = Design Code

Product	Design Code
Endless Bifocal	EBi



Endless Bifocal Wide lenses are open format designs, compatible with any spherical lens blank. Drop = 4 mm. Segment diameter is 40 mm. Recommended MFH is 14 mm. Contact your laboratory for more information.